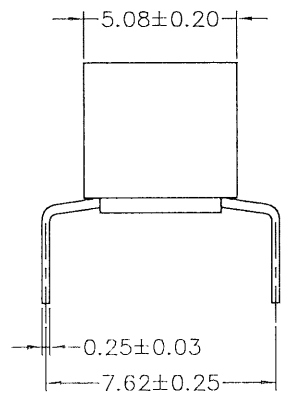
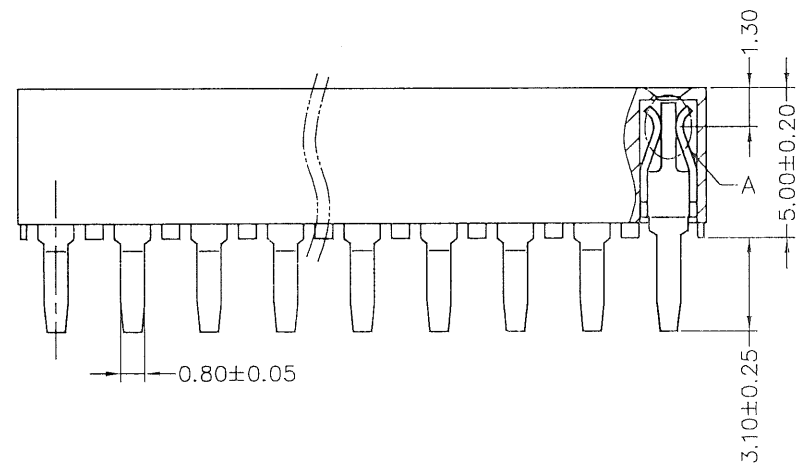
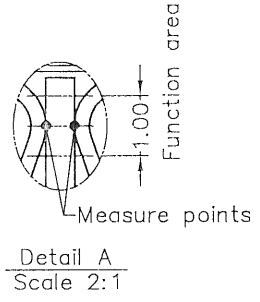
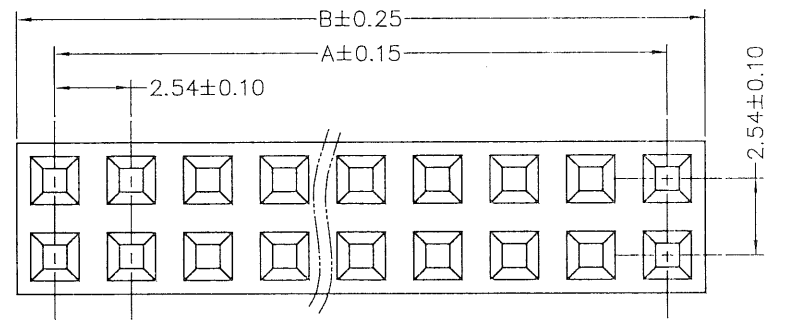


No. of Contacts	DIMENSIONS	
	A	B
3	5.08	8.12
4	7.62	10.66
5	10.16	13.30
6	12.70	15.74
7	15.24	18.28
8	17.78	20.82
9	20.32	23.36
10	22.86	25.90
11	25.40	28.44
12	27.94	30.98
13	30.48	33.52
14	33.02	36.06
15	35.56	38.60
16	38.10	41.14
17	40.64	43.68
18	43.18	46.22
19	45.72	48.76
20	48.26	51.30
21	50.80	53.84
22	53.34	56.38
23	55.88	58.92
24	58.42	61.46
25	60.96	64.00
26	63.50	66.54
27	66.04	69.08
28	68.58	71.62
29	71.12	74.16
30	73.66	76.70
31	76.20	79.24
32	78.74	81.78
33	81.28	84.32
34	83.82	86.86
35	86.36	89.40
36	88.90	91.94
37	91.44	94.48
38	93.98	97.02
39	96.52	99.56
40	99.06	102.10

版次	ECN 编码	描述		设计/日期
10	CW09060024	改前	改后	贾明新_2009/06/17
		/	修正12PIN尺寸	
11	EL22010012	/	更换新图框	刘恋_2022/01/04

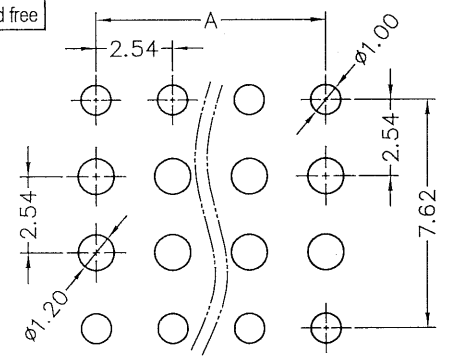
- NOTES: (Unless otherwise specified)
- Dimension shall be interpreted per ANSI Y14.5M.
  - Materials:  
Insulator material: Thermoplastic, UL 94V-0; Color: Black.  
Contact material: Copper Alloy
  - Current Rating: 3A Per Pin.
  - Voltage Rating: 30V AC/DC.
  - Working Temperature: -40°C ~ +105°C.
  - Harmful material should be compliant to doc. "EI-0005" standards.
  - Product number matrix:



PBFG-XX-X-030-\*

Number of Contacts | NULL: Thermoplastic  
Contact Plating | F: High Temperature Thermoplastic

Definition	Code
⊙ Tin plated	A
⊙ Gold plated:	
flash B 15u"	F
10u" E 30u"	J
⊙ Duplex plated:	
flash K 15u"	P
10u" N 30u"	U
⊙ Standard: B	
All plating is lead free	



TOLERANCE TABLE	
X. ± 0.30	X.° ± 3°
.X ± 0.25	.X° ± 2°
.XX ± 0.20	

SCALE	4:1
UNIT	mm
SIZE	A4

DRAWN	刘恋
CHECK	李晨涛
APPROVE	李晨涛

DATE	2022/01/04
DATE	2022/01/10
DATE	2022/01/10

DWG. NO.	600-0000-0075
PARTS NO. (INTENDED USE)	PBFG-XX-X-030-*

TITLE	CUSTOMER DRAWING
-------	------------------

REV.	11
SHEET	1/1