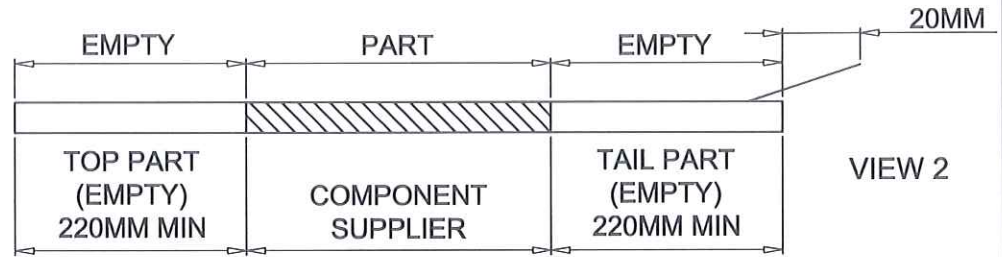


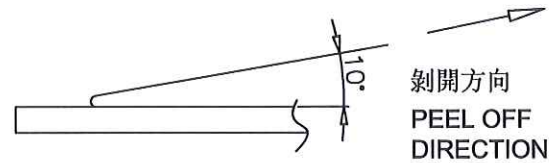
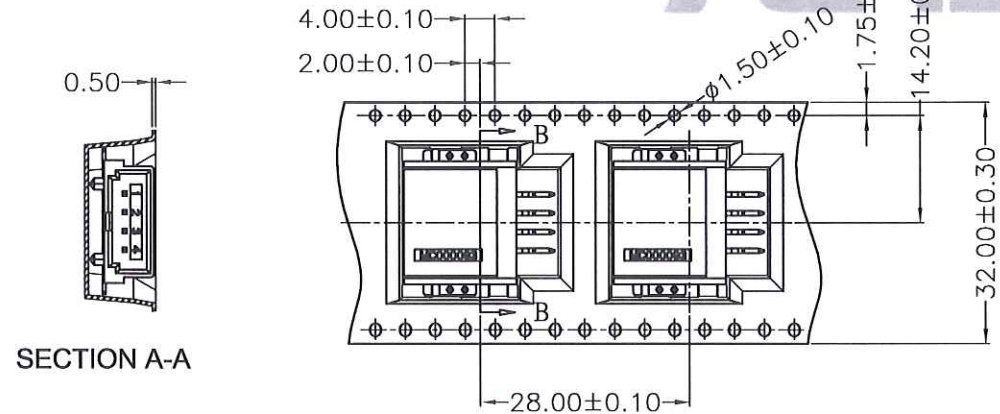
备注 (NOTES):

- 1. 带子引导长度
Lead tape length
- 转绕方向
Pull out direction

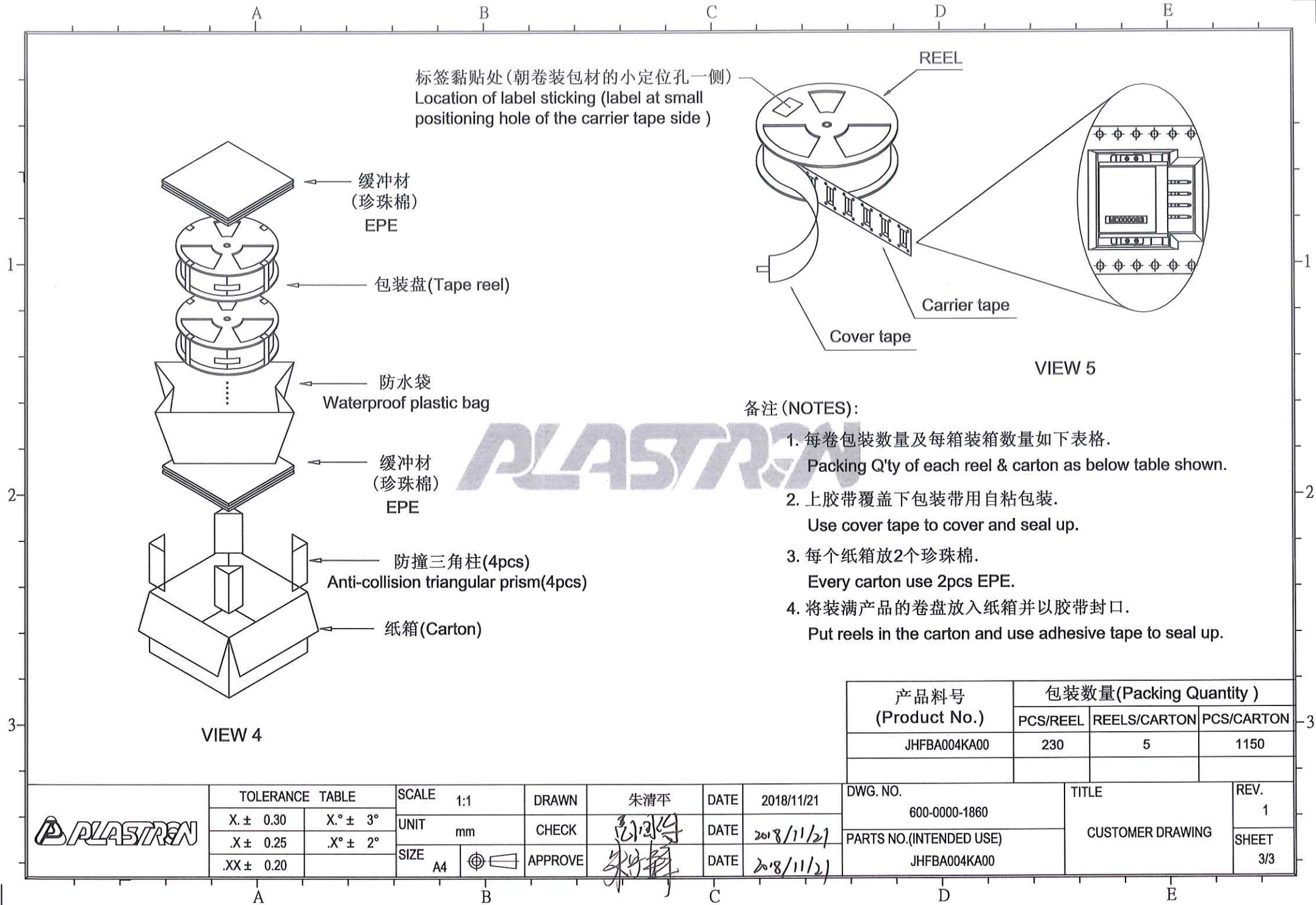


- 2. 上带剥拉力为: 0.2~1.3N(20gf~130gf)
Peeling off force of top tape :0.2~1.3N(20gf~130gf)

出货运输过程中一定注意: 卷带在运输过程中不能散开
This requirement should be applied at shipment:
The reel tape can not be separated during transportation.



TOLERANCE TABLE		SCALE 1:1	DRAWN 朱清平	DATE 2018/11/21	DWG. NO. 600-0000-1860	TITLE	REV. 1
X. ± 0.30	X.° ± 3°	UNIT mm	CHECK 刘国治	DATE 2018/11/21	PARTS NO.(INTENDED USE)	CUSTOMER DRAWING	SHEET 1
.X ± 0.25	.X° ± 2°	SIZE A4	APPROVE 朱清平	DATE 2018/11/21	JHFBAA004KA00		SHEET 2/3



备注 (NOTES):

- 每卷包装数量及每箱装箱数量如下表格。
Packing Q'ty of each reel & carton as below table shown.
- 上胶带覆盖下包装带用自粘包装。
Use cover tape to cover and seal up.
- 每个纸箱放2个珍珠棉。
Every carton use 2pcs EPE.
- 将装满产品的卷盘放入纸箱并以胶带封口。
Put reels in the carton and use adhesive tape to seal up.

产品料号 (Product No.)	包装数量 (Packing Quantity)		
	PCS/REEL	REELS/CARTON	PCS/CARTON
JHFBA004KA00	230	5	1150



TOLERANCE TABLE

X. ± 0.30	X.° ± 3°
.X ± 0.25	.X° ± 2°
.XX ± 0.20	

SCALE 1:1

UNIT mm

SIZE A4

DRAWN

CHECK

APPROVE

朱清平

(Signature)

(Signature)

DATE

DATE

DATE

2018/11/21

2018/11/21

2018/11/21

DWG. NO.

600-0000-1860

PARTS NO. (INTENDED USE)

JHFBA004KA00

TITLE

CUSTOMER DRAWING

REV.

1

SHEET

3/3