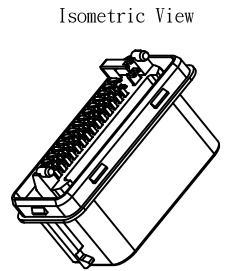
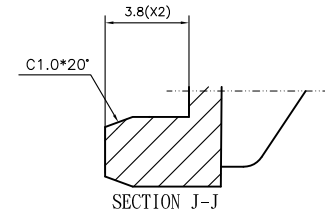
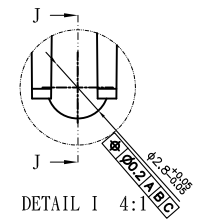
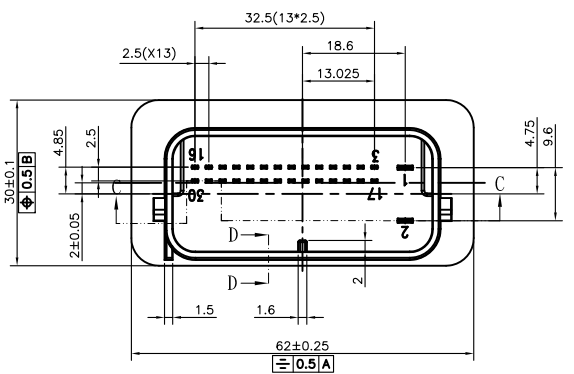
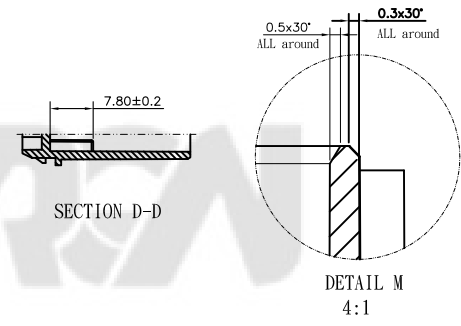
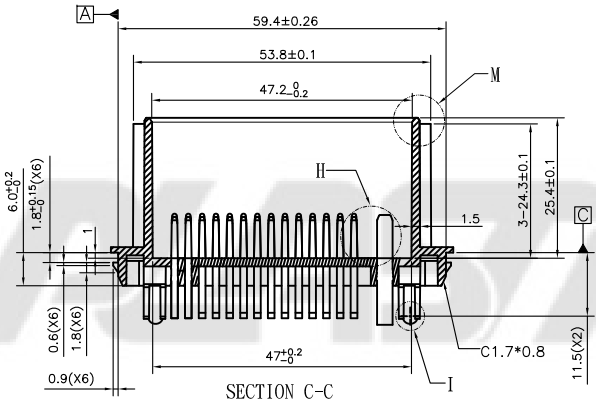
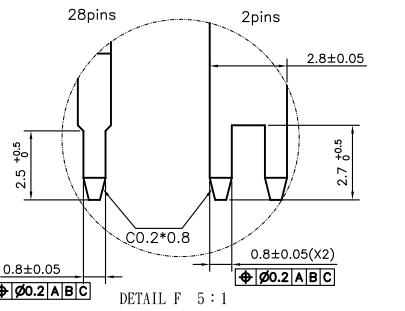
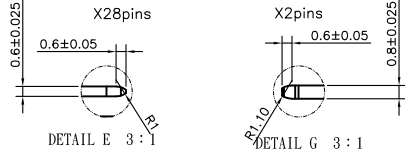
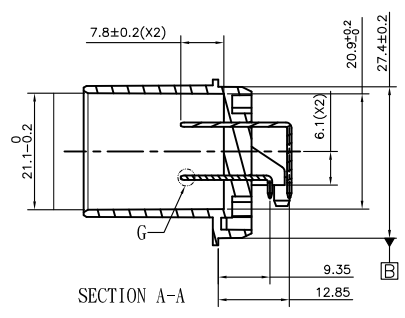
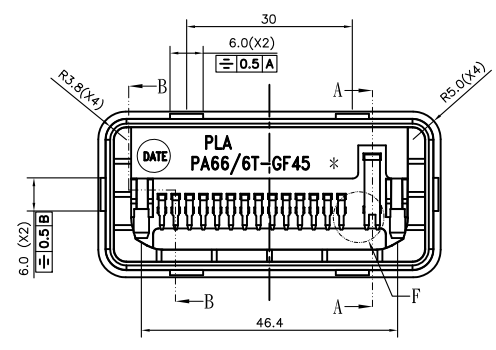
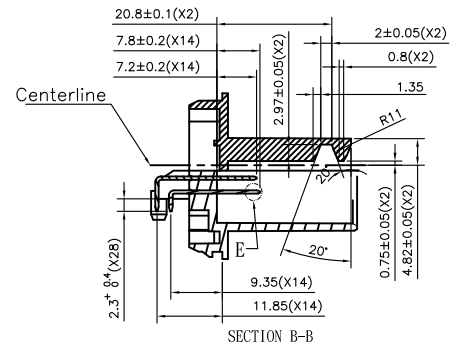


REV	ECN NUMBER	DESCRIPTION	DRAWN
1	EH15120180	First Issue	Yubo Zhou_2015/12/16
2	EH16040048	Add Date Code	Yubo Zhou_2016/03/16

NOTES: (Unless otherwise specified)

- Dimension shall be interpreted per ANSI Y14.5M-1994
- Materials: Insulator material: PA66/6T+45GF, COLOR: BLACK
Contact material: SnCu F37 C10300
- Current rating: Terminal Size(mm) Allowable Current(DC)
0.60*0.80 6A
2.80*0.80 17A
- Voltage rating: /
- Working temperature: -30°C~+105°C
- Harmful material should be compliant to doc. "E1-0005" standards.
- General Tolerance: See table(GENERAL TOLERANCE).
- Retention Force: 30N Min./per pin, 78N Max./per pin.
- Product number matrix:
HB402-30-A-T
T: TRAY
Plating Code:
Termination: Plating matte Sn 80~160μ"
The bottom layer: Plating Ni 50μ" Min.



GENERAL TOLERANCE	
0~19.99	±0.10
20~49.99	±0.15
50~99.99	±0.20
100~199.99	±0.25
200~UP	±0.30

SCALE:	1:1
UNIT:	MM
SIZE:	A4

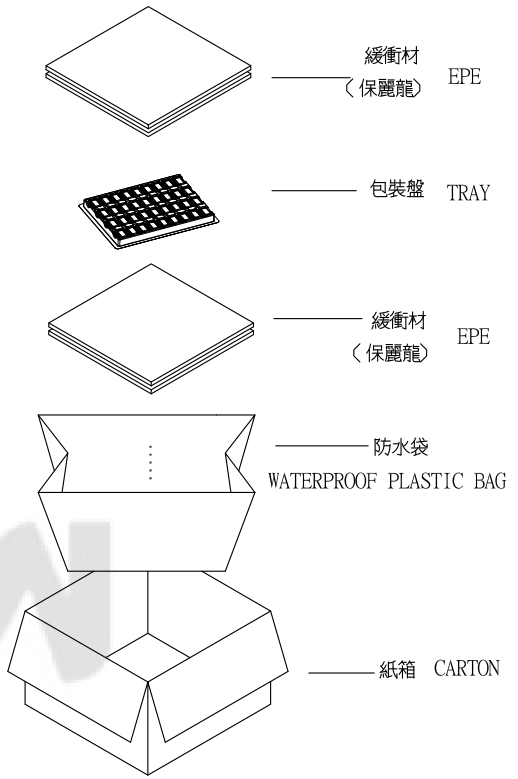
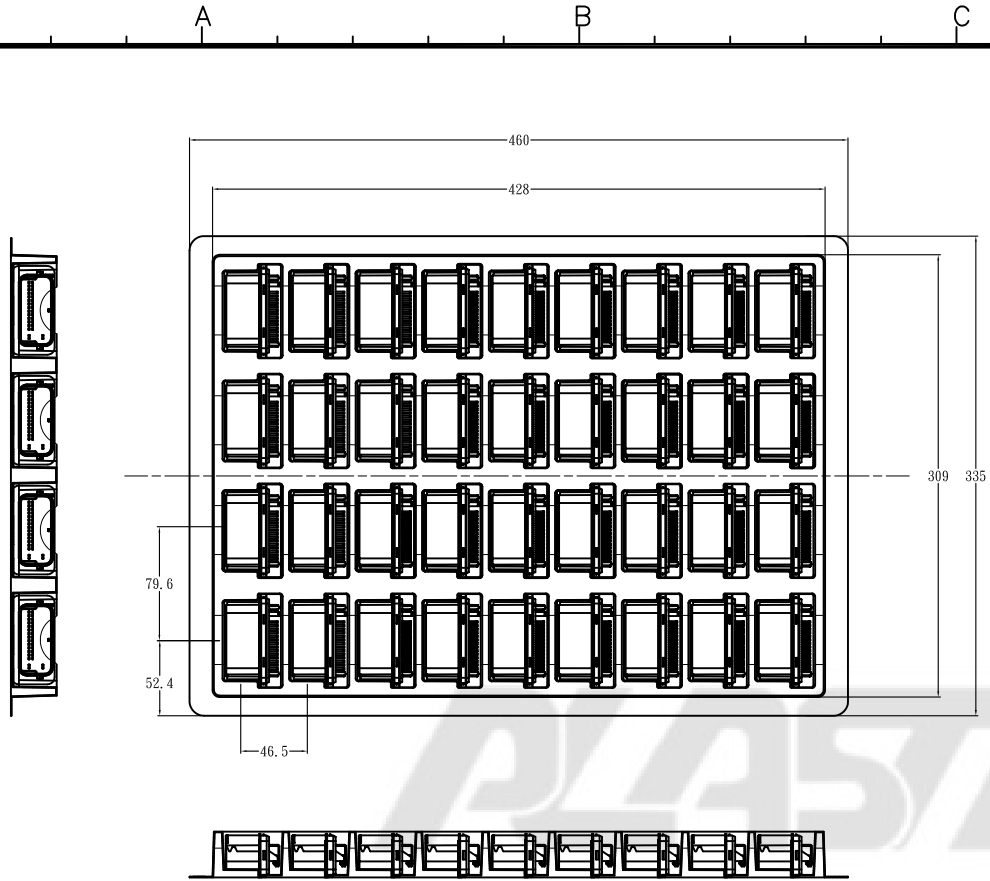
DRAWN:	Yubo.Zhou
CHECK:	David.Peng
APPROVE:	Kuanghui.Zou

DATE:	2016/03/16
DATE:	2016/03/16
DATE:	2016/03/16

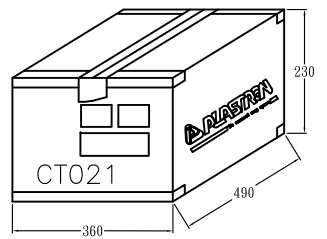
DWG.NO:	600-0000-1571
PARTS.NO:	HB402-30-A-T_SERIES

TITLE:	CUSTOMER DRAWING
--------	------------------

REV:	2
SHEET:	1/2



- NOTES:
1. 標籤黏貼處 (盤子的右上角)
LABEL STICKING AREA (RIGHT TOP AREA OF TRAY);
 2. 上下膠盤覆蓋下包裝后用纏繞膜包裝;
USE TRANSPARENT PE FOIL TO COVER THE SIDE ARE OF PALLET PACKAGING WHEN TOP PALLET IS COVERED;
 3. 每個紙箱放4個EPE棉緩衝保護;
PUT 4PCS EPE SHOCK CUSHION IN EACH CARTON;
 4. 每個紙箱產品放入防水袋中;
PUT PACKED PRODUCT TRAYS IN PE BAG FIRST BEFORE PACKAGING INTO CARTONS;
 5. 將裝滿產品的包裝盤放入紙箱并以膠帶封口;
PUT THE LOADED TRAYS INTO PE BAG, THEN INTO CARTON. THEN SEAL THE LOADED CARTON WITH PACKAGING TAPES.



產品料號 (PRODUCT No.)	包裝容量(PACKING CAPACITY)		
	PCS/TRAY	TRAYS/CARTON	PCS/CARTON
HB402-30-A-T	36	36*5	180

 PLASTRON TECHNOLOGY (SHEN ZHEN) CO., LTD.	GENERAL TOLERANCE		SCALE: 1:1	DRAWN: Yubo.Zhou	DATE: 2016/03/16	DWG.NO: 600-0000-1571	TITLE: CUSTOMER DRAWING	REV: 2
	0~19.99	±0.10	UNIT: MM	CHECK: David.Peng	DATE: 2016/03/16			PARTS.NO: HB402-30-A-T_SERIES
	20~49.99	±0.15						
	50~99.99	±0.20	SIZE: A4	APPROVE: Kuanghui.Zou	DATE: 2016/03/16			
	100~199.99	±0.25						
200~UP	±0.30							