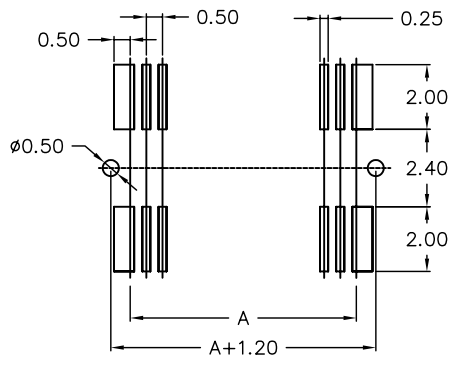
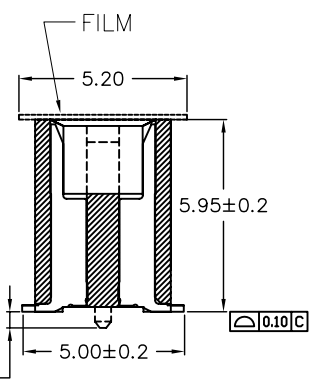
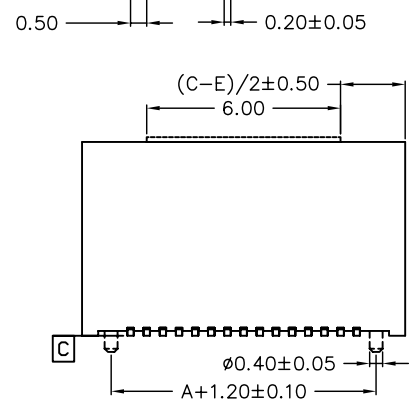
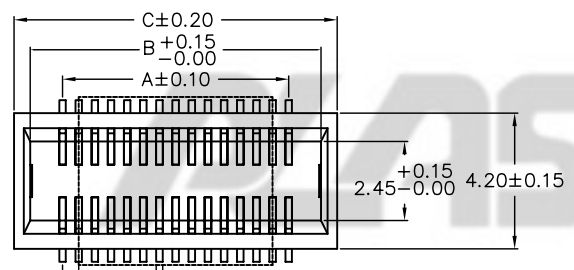
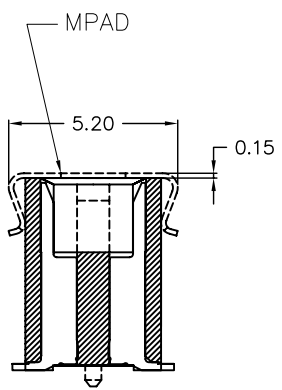
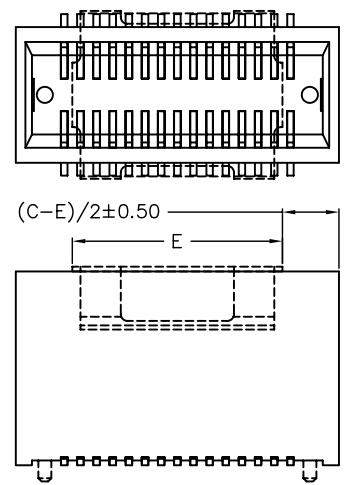


CIRCUITS	DIM A	DIM B	DIM C
04	0.50	2.50	3.50
06	1.00	3.00	4.00
08	1.50	3.50	4.50
10	2.00	4.00	5.00
12	2.50	4.50	5.50
14	3.00	5.00	6.00
16	3.50	5.50	6.50
18	4.00	6.00	7.00
20	4.50	6.50	7.50
22	5.00	7.00	8.00
24	5.50	7.50	8.50
26	6.00	8.00	9.00
28	6.50	8.50	9.50
30	7.00	9.00	10.00
32	7.50	9.50	10.50
34	8.00	10.00	11.00
36	8.50	10.50	11.50
38	9.00	11.00	12.00
40	9.50	11.50	12.50
42	10.00	12.00	13.00
44	10.50	12.50	13.50
46	11.00	13.00	14.00
48	11.50	13.50	14.50
50	12.00	14.00	15.00
52	12.50	14.50	15.50
54	13.00	15.00	15.50
56	13.50	15.50	16.50
58	14.00	16.00	17.00
60	14.50	16.50	17.50
62	15.00	17.00	18.00
64	15.50	17.50	18.50
66	16.00	18.00	19.00
68	16.50	18.50	19.50
70	17.00	19.00	20.00
72	17.50	19.50	20.50
74	18.00	20.00	21.00
76	18.50	20.50	21.50
78	19.00	21.00	22.00
80	19.50	21.50	22.50
82	20.00	22.00	23.00
84	20.50	22.50	23.50
86	21.00	23.00	24.00
88	21.50	23.50	24.50
90	22.00	24.00	25.00
92	22.50	24.50	25.50
94	23.00	25.00	26.00
96	23.50	25.50	26.50
98	24.00	26.00	27.00
100	24.50	26.50	27.50
102	25.00	27.00	28.00
104	25.50	27.50	28.50
106	26.00	28.00	29.00
108	26.50	28.50	29.50
110	27.00	29.00	30.00
112	27.50	29.50	30.50
114	28.00	30.00	31.00
116	28.50	30.50	31.50
118	29.00	31.00	32.00
120	29.50	31.50	32.50

Rev.	ECN Number	Description	Drawn/Date
6	EW15060087	新增10PIN以下規格	Yang.Liu 06/29'15

NOTES: (UNLESS OTHERWISE SPECIFIED)

- DIMENSION SHALL BE INTERPRETED PER ANSI Y14.5M-1994.
- CURRENT RATING: 0.5 AMPERE.
- RATING VOLTAGE: 30V AC.
- DURABILITY: 50 CYCLES MIN.
- CONTACT RESISTANCE: 60 m Ohms MAX, INITIAL.
- DIELECTRIC WITHSTANDING VOLTAGE: 500V AC rms./MINUTE.
- INSULATION RESISTANCE: 100 MegOhms MIN.
- MATERIAL: HIGH TEMPERATURE THERMOPLASTIC, UL 94V-0, Color : Beige
Contact Material: Copper Alloy
- HARMFUL MATERIAL SHOULD BE COMPLIANT TO DOC. "EI-0005" STANDARDS.
- PRODUCT NUMBER MATRIX:



Recommended PCB Layout (PCB TOLERANCE ±0.05)

ZVB-XXS4-X-X-S01-*

Number of Contacts: Straight

NULL: TUBE
B: MPAD+REEL
E: MPAD+TUBE
K: REEL
C: FILM+REEL

0: W/O Locating peg
1: With Locating peg

Definition	Code
© Gold plated:	
flash	B 15μ" F
10μ"	E 30μ" J
©Standard: B Prefix "v" means lead free plating	

MPAD	(不含)20 PIN以上用	6.50
	(含)20 PIN以下用	4.00
FILM	6.00X5.20	

 PLASTREN TECHNOLOGY (SHEN ZHEN) CO., LTD.	GENERAL TOLERANCE		SCALE 1:1	ORIGINAL DRAWN Yang.Liu	DATE 06/29'15	DWG. NO. 600-0000-0391	TITLE CUSTOMER DRAWING	REV 6
	X. ± 0.30		UNIT MM	CHECK Gavin.Gao	DATE 06/29'15			PARTS NO. (INTENDED USE) ZVB-XXS4-X-X-S01-*
	.X ± 0.25 X.° ±3°		SIZE A4	APPROVE Gavin.Gao	DATE 06/29'15			
	.XX ± 0.15 .X° ±2°							