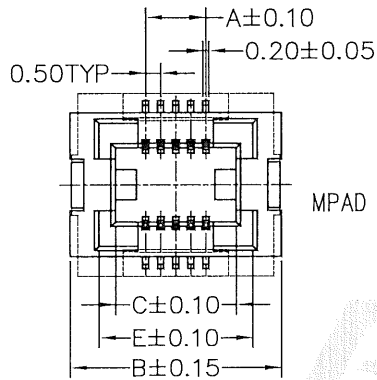
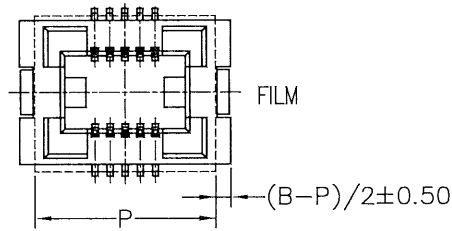
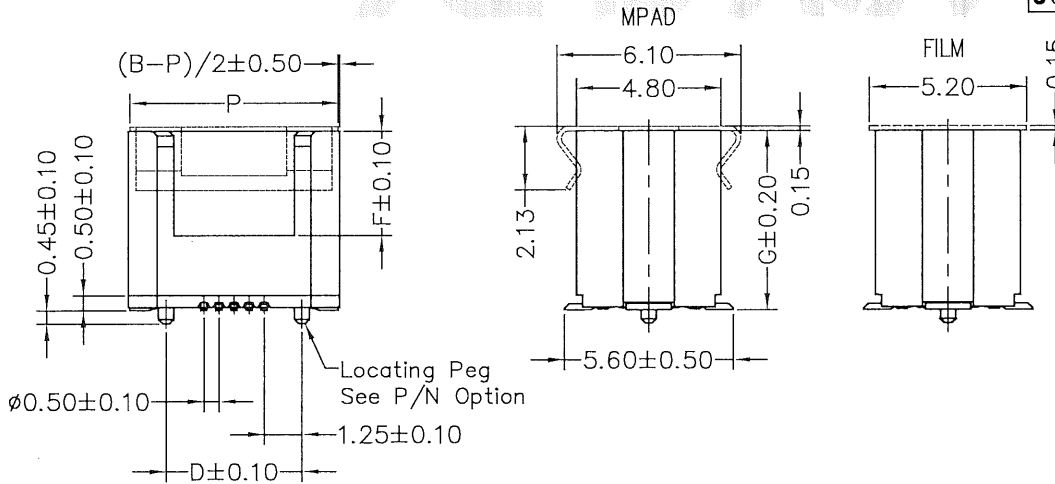


CIRCUITS	DIM A	DIM B	DIM C	DIM D	DIM E
08	1.50	6.50	3.50	4.00	4.60
10	2.00	7.00	4.00	4.50	5.10
12	2.50	7.50	4.50	5.00	5.60
14	3.00	8.00	5.00	5.50	6.10
16	3.50	8.50	5.50	6.00	6.60
18	4.00	9.00	6.00	6.50	7.10
20	4.50	9.50	6.50	7.00	7.60
22	5.00	10.00	7.00	7.50	8.10
24	5.50	10.50	7.50	8.00	8.60
26	6.00	11.00	8.00	8.50	9.10
28	6.50	11.50	8.50	9.00	9.60
30	7.00	12.00	9.00	9.50	10.10
32	7.50	12.50	9.50	10.00	10.60
34	8.00	13.00	10.00	10.50	11.10
36	8.50	13.50	10.50	11.00	11.60
38	9.00	14.00	11.00	11.50	12.10
40	9.50	14.50	11.50	12.00	12.60
42	10.00	15.00	12.00	12.50	13.10
44	10.50	15.50	12.50	13.00	13.60
46	11.00	16.00	13.00	13.50	14.10
48	11.50	16.50	13.50	14.00	14.60
50	12.00	17.00	14.00	14.50	15.10
52	12.50	17.50	14.50	15.00	15.60
54	13.00	18.00	15.00	15.50	16.10
56	13.50	18.50	15.50	16.00	16.60
58	14.00	19.00	16.00	16.50	17.10
60	14.50	19.50	16.50	17.00	17.60
62	15.00	20.00	17.00	17.50	18.10
64	15.50	20.50	17.50	18.00	18.60
66	16.00	21.00	18.00	18.50	19.10
68	16.50	21.50	18.50	19.00	19.60
70	17.00	22.00	19.00	19.50	20.10
72	17.50	22.50	19.50	20.00	20.60
74	18.00	23.00	20.00	20.50	21.10
76	18.50	23.50	20.50	21.00	21.60
78	19.00	24.00	21.00	21.50	22.10
80	19.50	24.50	21.50	22.00	22.60
82	20.00	25.00	22.00	22.50	23.10
84	20.50	25.50	22.50	23.00	23.60
86	21.00	26.00	23.00	23.50	24.10
88	21.50	26.50	23.50	24.00	24.60
90	22.00	27.00	24.00	24.50	25.10
92	22.50	27.50	24.50	25.00	25.60
94	23.00	28.00	25.00	25.50	26.10
96	23.50	28.50	25.50	26.00	26.60
98	24.00	29.00	26.00	26.50	27.10
100	24.50	29.50	26.50	27.00	27.60
120	29.50	34.50	31.50	32.00	32.60
140	34.50	39.50	36.50	37.00	37.60



	DIM P
FILM	6.00
MPAD	6.90

PARTS NO.	DIM F	DIM G
ZVF-XXS1	2.0	2.5
ZVF-XXS4	2.5	3.0
ZVF-XXS5		4.0
ZVF-XXS6	2.2	5.0
ZVF-XXS7		6.0
ZVF-XXS8		7.0
ZVF-XXS9	8.0	
ZVF-XXSA	9.0	
ZVF-XXSB	10.0	



NOTES: (Unless otherwise specified)

1. Dimension shall be interpreted per ANSI Y14.5M.

2. Materials:

Insulator material: High Temperature Thermoplastic, UL 94V-0;

Contact material: Copper alloy.

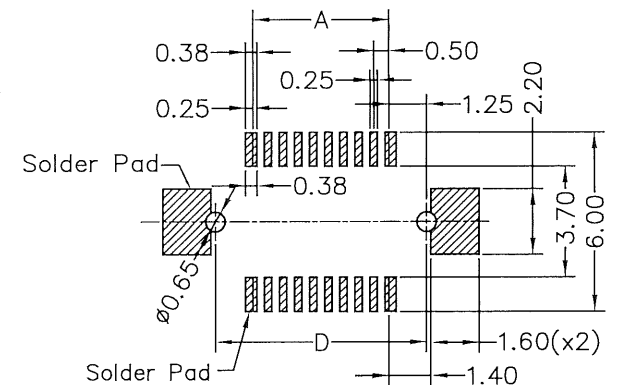
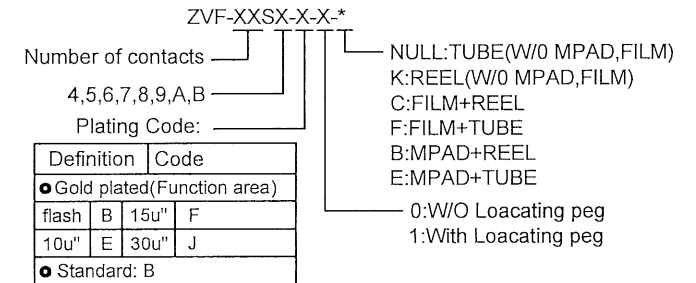
3. Current Rating: 0.5A.

4. Voltage Rating: 30V AC/DC.

5. Working Temperature: -40°C ~ +105°C.

6. Harmful material should be compliant to doc."EI-0005" standards.

7. Product number matrix:



Recommended PCB layout
(PCB TOLERANCE: ±0.05)



TOLERANCE TABLE	
X. ± 0.30	X.° ± 3°
.X ± 0.25	.X° ± 2°
.XX ± 0.20	

SCALE	4:1
UNIT	mm
SIZE	A4

DRAWN	刘恋
CHECK	李晨涛
APPROVE	刘恋

DATE	2021/10/25
DATE	2021/10/25
DATE	2021/10/25

DWG. NO.	600-0000-1480
PARTS NO.(INTENDED USE)	ZVF-XXSX-X-X-*

TITLE	CUSTOMER DRAWING
-------	------------------

REV.	24
SHEET	1/1