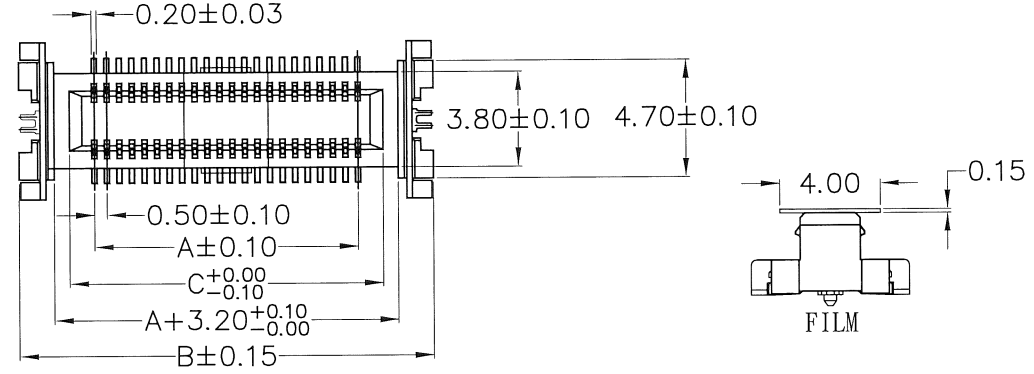
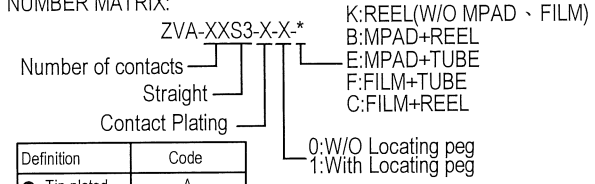


CIRCUITS	DIM A	DIM B	DIM C	II
10	2.00	8.00	3.88	KT011 6.00
12	2.50	8.50	4.48	MPAD00141D 4.20
14	3.00	9.00	4.88	
16	3.50	9.50	5.48	
18	4.00	10.00	5.88	
20	4.50	10.50	6.48	
22	5.00	11.00	6.88	
24	5.50	11.50	7.48	
26	6.00	12.00	7.88	
28	6.50	12.50	8.48	
30	7.00	13.00	8.88	
32	7.50	13.50	9.48	
34	8.00	14.00	9.88	
36	8.50	14.50	10.48	
38	9.00	15.00	10.88	
40	9.50	15.50	11.48	
42	10.00	16.00	11.88	
44	10.50	16.50	12.48	
46	11.00	17.00	12.98	
48	11.50	17.50	13.48	
50	12.00	18.00	13.88	
52	12.50	18.50	14.48	
54	13.00	19.00	14.88	
56	13.50	19.50	15.48	
58	14.00	20.00	15.88	
60	14.50	20.50	16.48	
62	15.00	21.00	16.88	
64	15.50	21.50	17.48	
66	16.00	22.00	17.88	
68	16.50	22.50	18.48	
70	17.00	23.00	18.88	
72	17.50	23.50	19.48	
74	18.00	24.00	19.88	
76	18.50	24.50	20.48	
78	19.00	25.00	20.88	
80	19.50	25.50	21.48	
82	20.00	26.00	21.88	
84	20.50	26.50	22.48	
86	21.00	27.00	22.98	
88	21.50	27.50	23.48	
90	22.00	28.00	23.88	
92	22.50	28.50	24.48	
94	23.00	29.00	24.88	
96	23.50	29.50	25.48	
98	24.00	30.00	25.88	
100	24.50	30.50	26.48	
120	29.50	35.50	31.48	

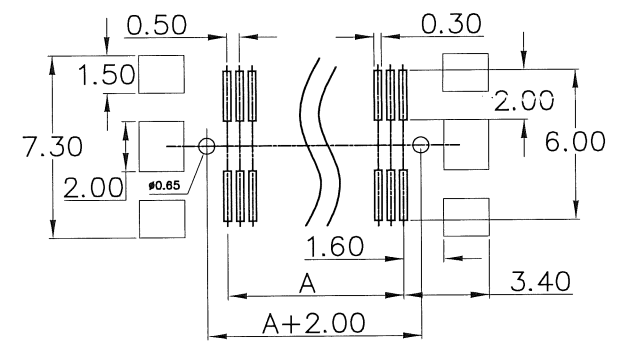
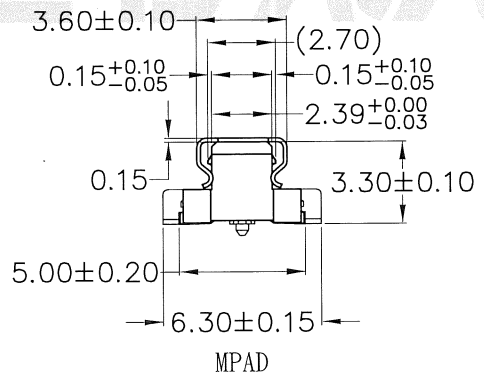
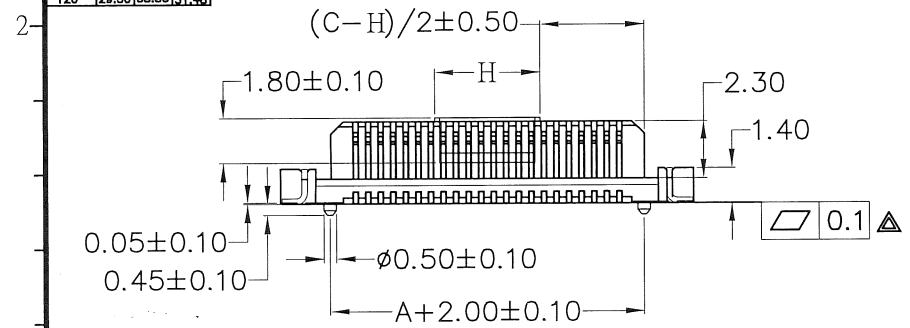
版次	ECN 编码	描述		设计/日期
15	EL22120032	改前	改后	江蒙_2022/12/09
		增加平面度管控		



- NOTES:
- DIMENSION SHALL BE INTERPRETED PER ANSI Y14.5M-1994.
 - CURRENT RATING: 0.5 AMPERE.
 - RATING VOLTAGE: 30V AC/DC.
 - HOUSING MATERIAL: HIGH TEMPERATURE THERMOPLASTIC, UL 94V-0.
CONTACT MATERIAL: PHOSPHOR BRONZE.
 - OPERATING TEMPERATURE: -40°C - +105°C.
 - HARMFUL MATERIAL SHOULD BE COMPLIANT TO DOC. "EI-0005" STANDARDS.
 - PRODUCT NUMBER MATRIX:



Definition	Code
● Tin plated	A
● Gold plated:	
flash B 5 u" D 10 u" E	
15 u" F 20 u" G 30 u" J	
● Duplex plated	
flash K 5 u" M 10 u" N	
15 u" P 20 u" Q 30 u" U	



Recommended PCB Layout
(PCB TOLERANCE ±0.05)



TOLERANCE TABLE		SCALE	DRAWN	DATE	DWG. NO.	TITLE	REV.
X ± 0.30	X° ± 3°	2:1	江蒙	2022/12/09	600-0000-1588	CUSTOMER DRAWING	15
.X ± 0.25	.X° ± 2°	mm	李昌涛	2022/12/09	PARTS NO. (INTENDED USE)	ZVA-XXS3-X-X*	SHEET
.XX ± 0.20		A4	李昌涛	2022/12/09			1/1