

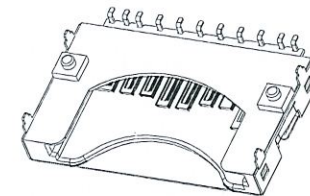
版次	ECN 编码	描述		设计/日期
		改前	改后	
3	EH15090166	/	更新图面发行	Yong Zhang _2015/09/29
4	EL21120076	/	增加可承载区标识	刘恋_2021/12/14

NOTES: (Unless otherwise specified)

1. Dimension shall be interpreted per ANSI Y14.5M.
2. Materials:
Insulator material: High Temperature Thermoplastic, UL 94V-0;
Contact material: Copper alloy.
3. Current Rating: 0.5A AC/DC.
4. Dielectric withstanding voltage: AC 500V.
5. Working Temperature: -40°C ~ +85°C.
6. Harmful material should be compliant to doc."EI-0005" standards.
7. Product number matrix:

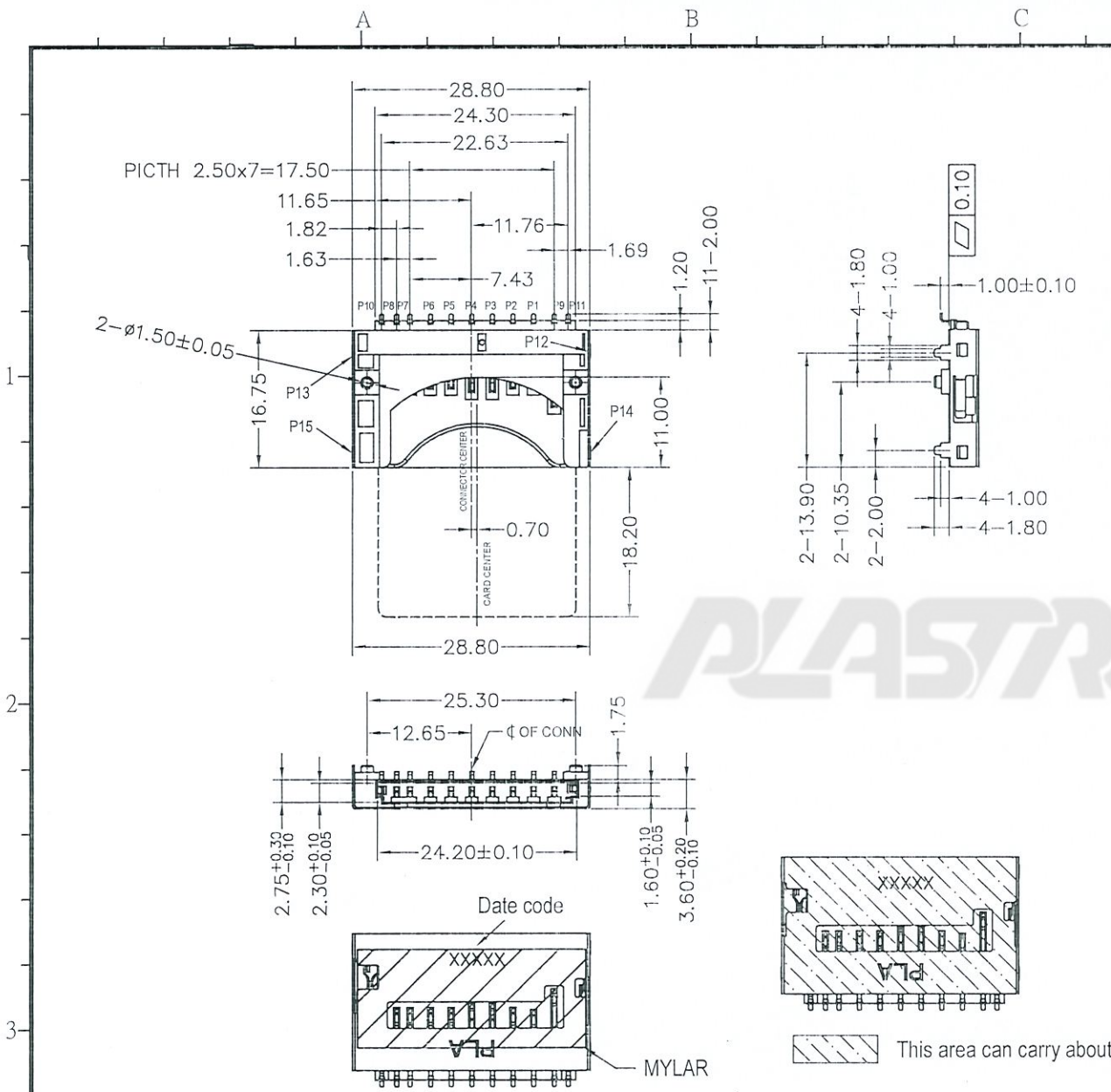
C S 1 R - 18 * - X - X
Series | |
N: Without dummy card
D: With dummy card
N: With halogen
H: Halogen Free
Plating code:

- 1: gold fish plating on contact area
Matte tin 150u" Min plating on solder area
- 2: 3u" gold plating on contact area
Matte tin 150u" Min plating on solder area
- 3: 5u" gold plating on contact area
Matte tin 150u" Min plating on solder area
- 5: 15u" gold plating on contact area
Matte tin 150u" Min plating on solder area

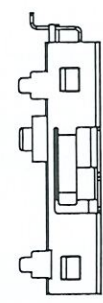
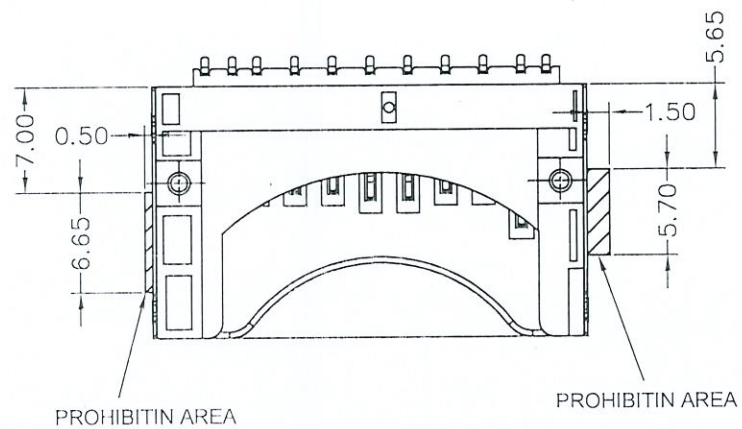
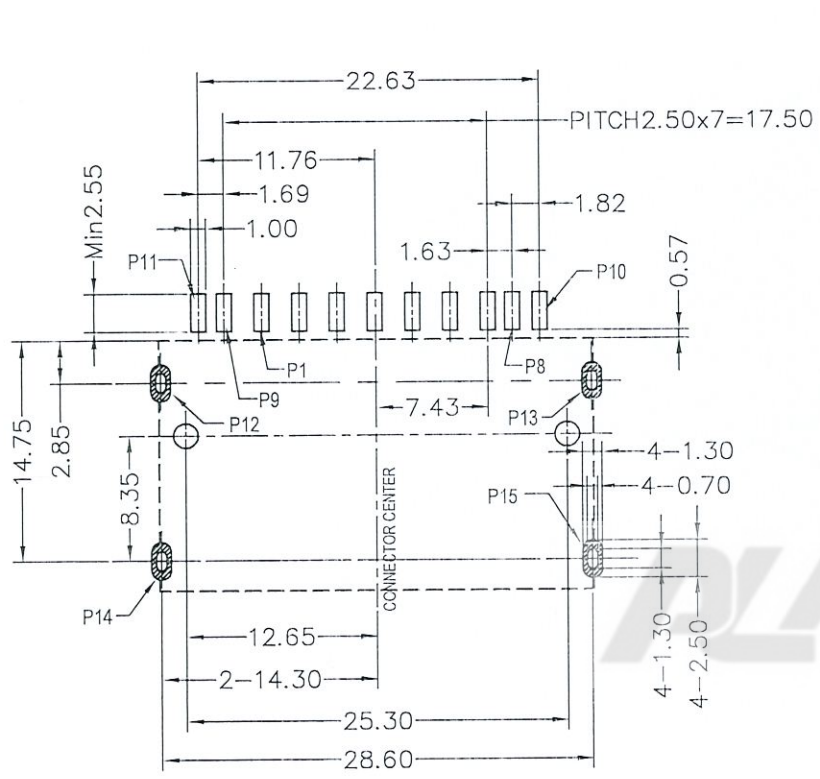


PLASTREN

This area can carry about 0.5kg Max.



TOLERANCE TABLE	SCALE	1.25:1	DRAWN	刘恋	DATE	2021/12/14	DWG. NO. 600-0000-1121	TITLE CUSTOMER DRAWING	REV.	4
	X. ± 0.30	X°. ± 3°	CHECK	李昌涛	DATE	2021/12/14			PARTS NO.(INTENDED USE) CS1R-18***	SHEET
	.X ± 0.25	.X° ± 2°	APPROVE	刘恋	DATE	2021/12/14				
	.XX ± 0.20		SIZE	A4						



RECOMMENDED P.C.B LAYOUT
TOP VIEW(TOLERANCE±0.05)

PAD AREA

Pin No.	Name
P1	CD/DAT3
P2	CMD
P3	VSS1
P4	VDD
P5	CLK
P6	VSS2
P7	DAT0
P8	DAT1
P9	DAT2
P10	WRITE PROTECT
P11	CARD DETECT
P12	GND
P13	GND
P14	GND
P15	GND



TOLERANCE TABLE	
X. ± 0.30	X.° ± 3°
.X ± 0.25	.X° ± 2°
.XX ± 0.20	

SCALE	2:1
UNIT	mm
SIZE	A4

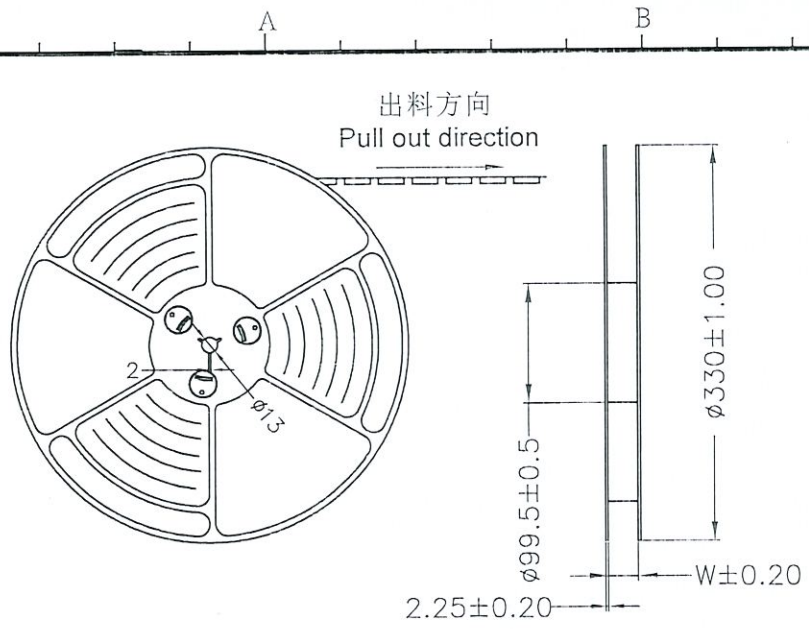
DRAWN	刘恋
CHECK	李晨涛
APPROVE	张印

DATE	2021/12/14
DATE	2021/12/14
DATE	2021/12/14

DWG. NO.	600-0000-1121
PARTS NO.(INTENDED USE)	CS1R-18***

TITLE	CUSTOMER DRAWING
-------	------------------

REV.	4
SHEET	2/4

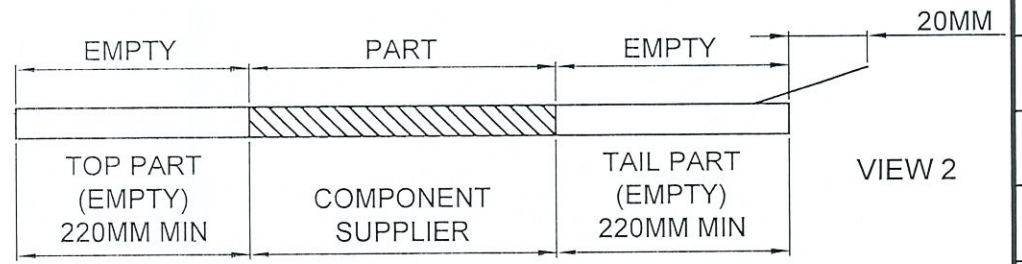


VIEW 1

备注 (NOTES):

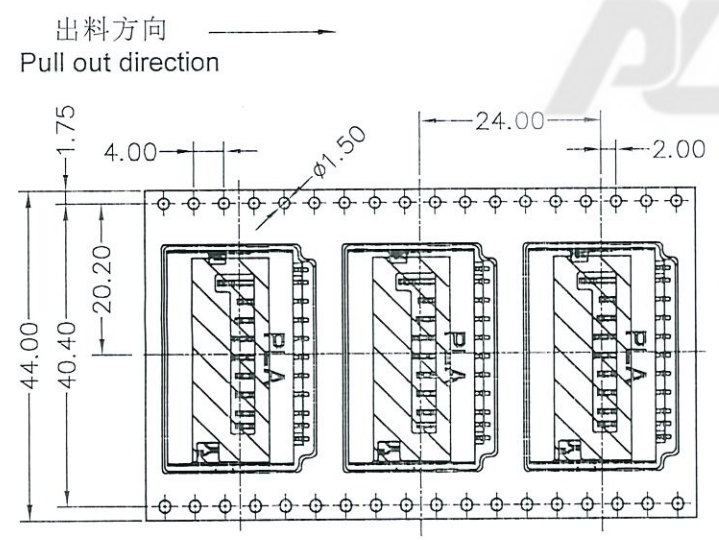
1. 带子引导长度
Lead tape length

转绕方向
Pull out direction

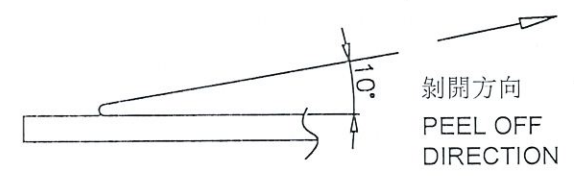


VIEW 2

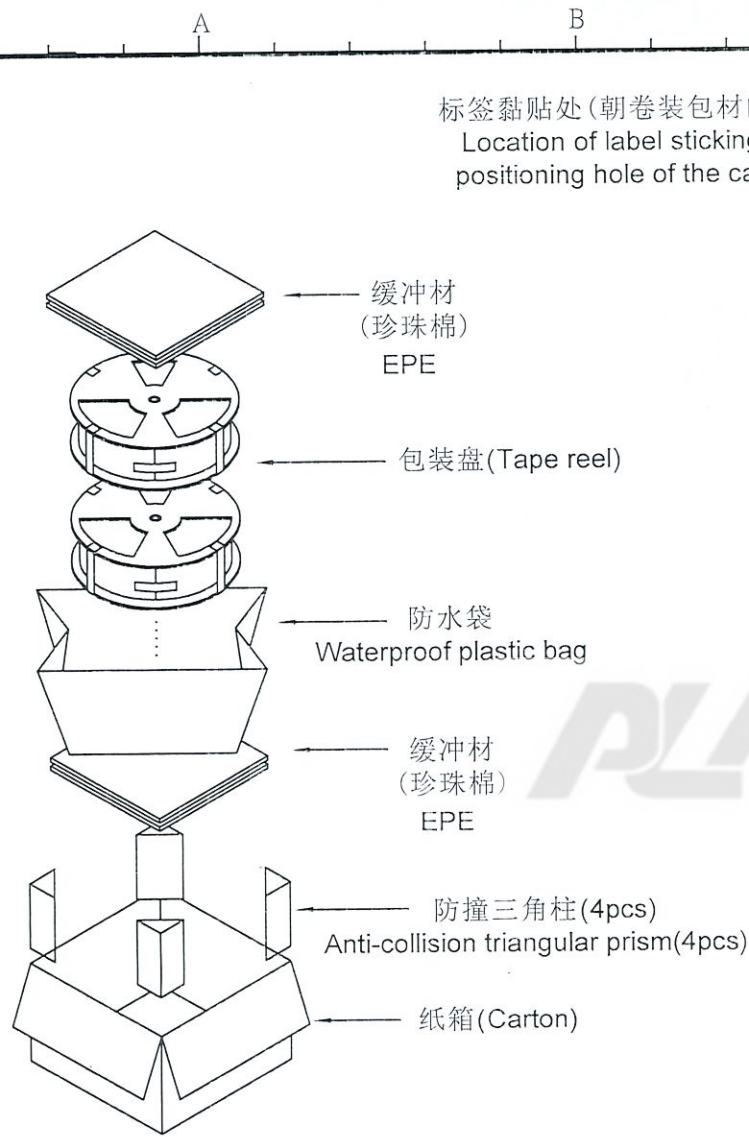
2. 上带剥拉力为: 0.2~1.3N(20gf~130gf)
Peeling off force of top tape :0.2~1.3N(20gf~130gf)



VIEW 3

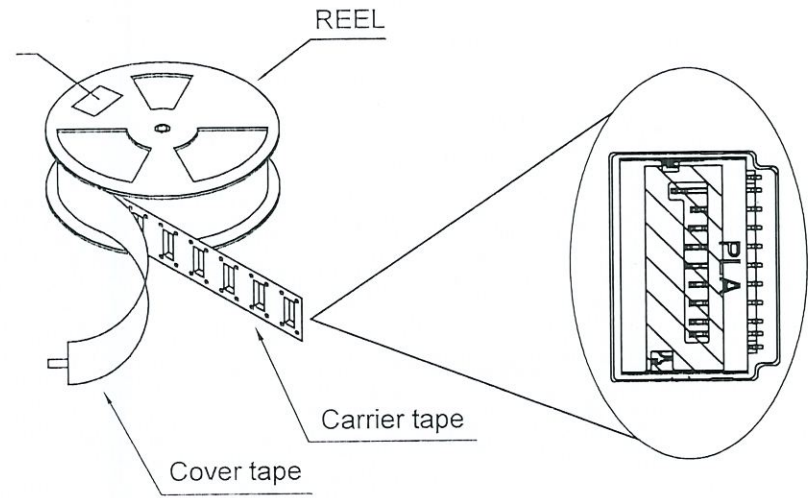


TOLERANCE TABLE	SCALE	1:1	DRAWN	刘恋	DATE	2021/12/14	DWG. NO.	600-0000-1121	TITLE	CUSTOMER DRAWING	REV.	4
	X. ± 0.30	X.° ± 3°	UNIT	mm	CHECK	李高伟	DATE	2021/12/14	PARTS NO. (INTENDED USE)	CS1R-18*.*.*	SHEET	3/4
	.X ± 0.25	.X° ± 2°	SIZE	A4	APPROVE	李高伟	DATE	2021/12/14				



VIEW 4

标签黏贴处(朝卷装包材的小定位孔一侧)
Location of label sticking (label at small positioning hole of the carrier tape side)



VIEW 5

备注 (NOTES):

1. 每卷包装数量及每箱装箱数量如下表格。
Packing Q'ty of each reel & carton as below table shown.
2. 上胶带覆盖下包装带用自粘包装。
Use cover tape to cover and seal up.
3. 每个纸箱放2个珍珠棉。
Every carton use 2pcs EPE.
4. 将装满产品的卷盘放入纸箱并以胶带封口。
Put reels in the carton and use adhesive tape to seal up.

产品料号 (Product No.)	包装数量(Packing Quantity)		
	PCS/REEL	REELS/CARTON	PCS/CARTON
CS1R-18*-*	350	4	1400



TOLERANCE TABLE	
X. ± 0.30	X.° ± 3°
.X ± 0.25	.X° ± 2°
.XX ± 0.20	

SCALE	1:1
UNIT	mm
SIZE	A4

DRAWN	刘恋
CHECK	李景峰
APPROVE	刘恋

DATE	2021/12/14
DATE	2021/12/14
DATE	2021/12/14

DWG. NO.	600-0000-1121
PARTS NO.(INTENDED USE)	CS1R-18*-*

TITLE	CUSTOMER DRAWING
-------	------------------

REV.	4
SHEET	4/4