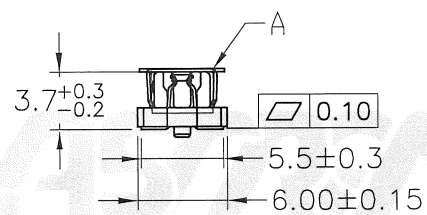
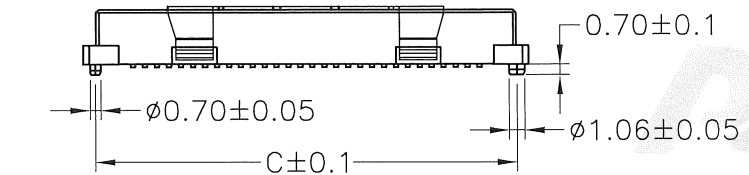
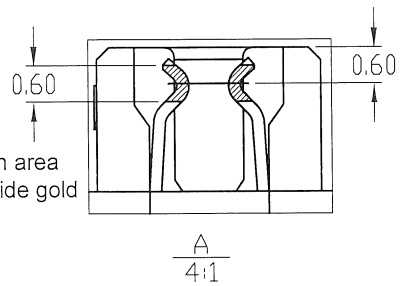


Function area  
single side gold  
plating



版次	ECN 编码	描述		设计/日期
1	EH19090127	初版发行		齐如军_2019/11/08
2	EL22100031	改前	改后	李晨涛_2022/10/12
		增加 D 尺寸		

- NOTES: (Unless otherwise specified)
- Dimension shall be interpreted per ANSI Y14.5M.
  - Materials:  
Insulator material: High Temperature Thermoplastic, UL 94V-0; Color: Natural.  
Contact material: Copper alloy.
  - Current Rating: 0.5A.
  - Voltage Rating: 50V AC/DC.
  - Working Temperature: -40°C ~ +105°C.
  - Harmful material should be compliant to doc. "EI-0005" standards.
  - Product number matrix:

D E A A X X X B X 00

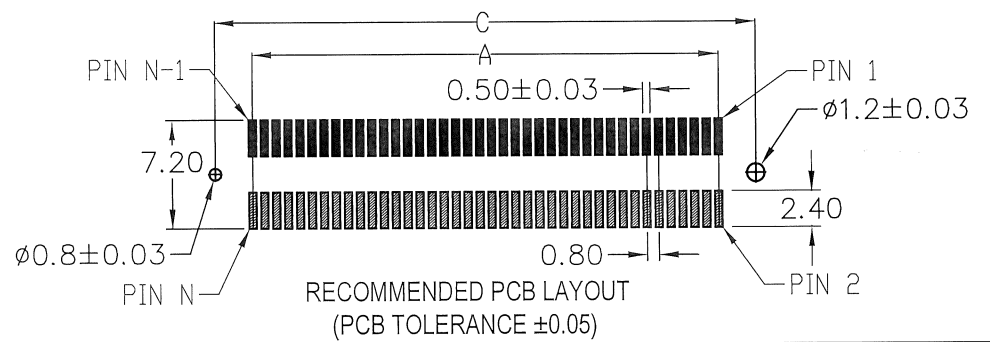
Number of contacts  
030~080: 30~80PIN  
100~140: 100~140PIN

B: MPAD+REEL

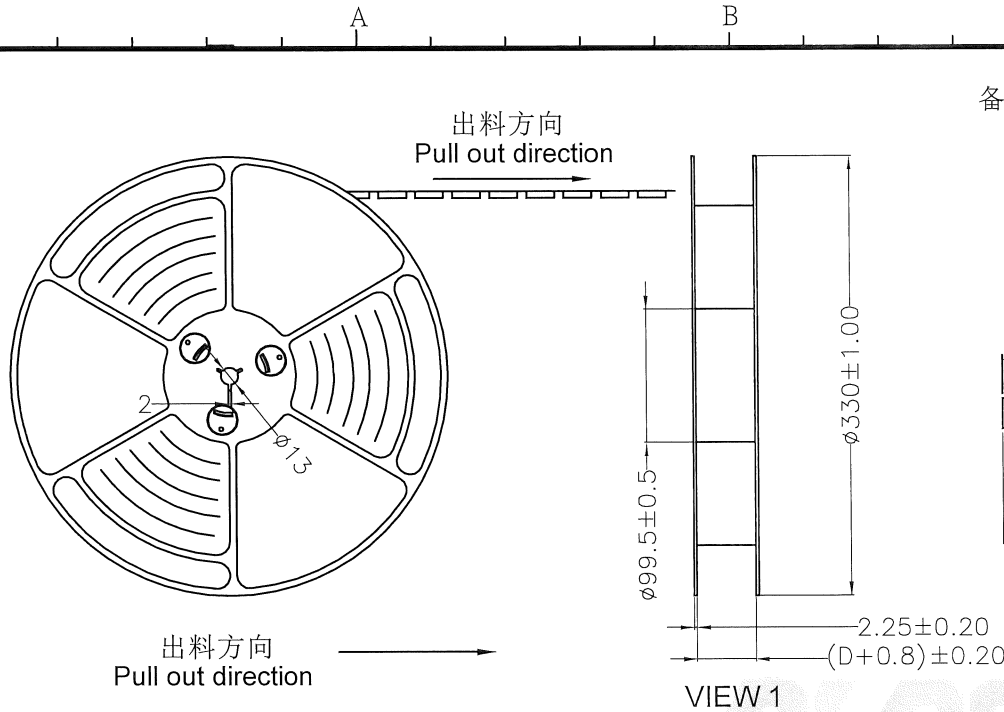
Plating Code:

Definition	Code
● Tin plated	A
● Gold plated (Function area)	
flash B	15u" F
10u" E	30u" J
● Duplex plated (Function area)	
flash K	15u" P
10u" N	30u" U
● Standard:	B

CIRCUITS	DIM.A	DIM.B	DIM.C	DIM.D
30	11.20	17.80	16.20	13.25
40	15.20	21.80	20.20	17.25
50	19.20	25.80	24.20	21.25
60	23.20	29.80	28.20	25.25
80	31.20	37.80	36.20	33.25
100	39.20	45.80	44.20	41.25
120	47.20	53.80	52.20	49.25
140	55.20	61.80	60.20	57.25

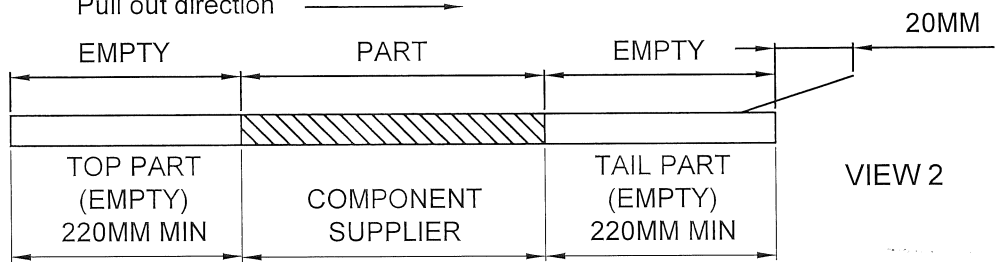


TOLERANCE TABLE	SCALE	2:1	DRAWN	李晨涛	DATE	2022/10/12	DWG. NO.	600-0000-2007	TITLE	REV.
	X. ± 0.30	X.° ± 3°	UNIT	mm	CHECK	何晓峰	DATE	2022/10/26	CUSTOMER DRAWING	2
	.X ± 0.25	.X° ± 2°	SIZE	A4	APPROVE	李晨涛	DATE	2022/10/26		SHEET
	.XX ± 0.20							PARTS NO. (INTENDED USE)	DEAAAXXBX00	1/3



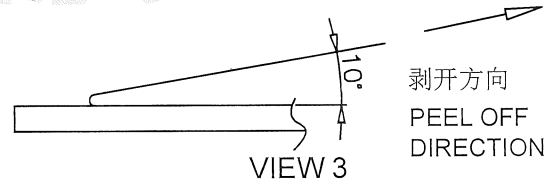
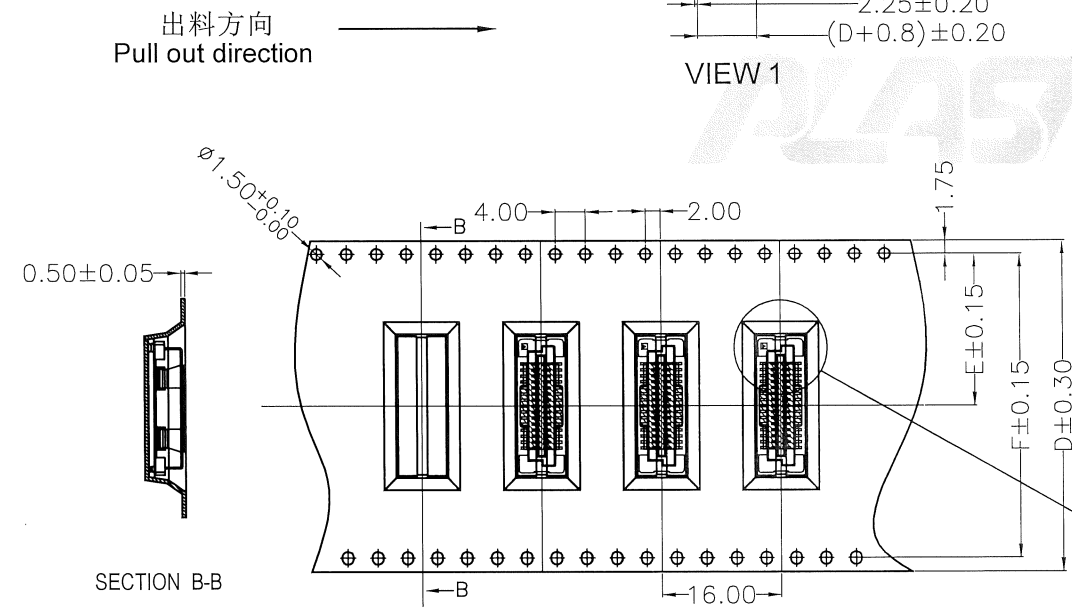
备注 (NOTES):

1. 带子引导长度  
Lead tape length  
转绕方向  
Pull out direction



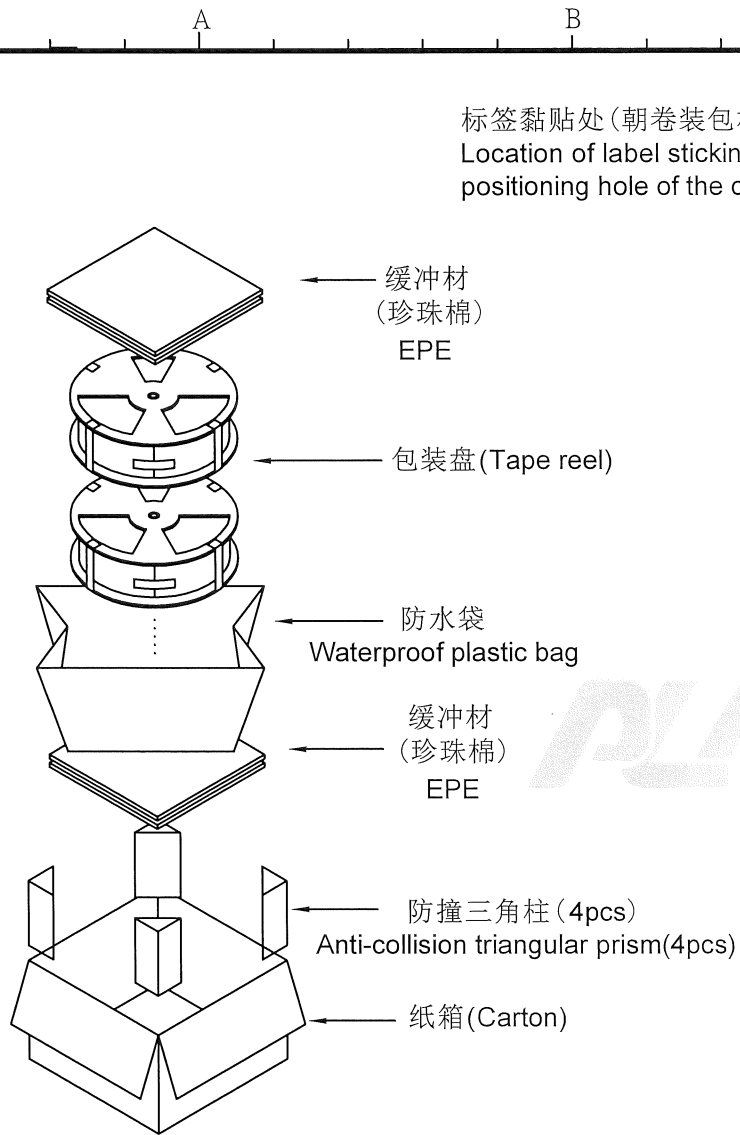
2. 上带剥拉力为: 0.2~1.3N(20gf~130gf)

Peeling off force of top tape :0.2~1.3N(20gf~130gf)  
 出货运输过程中一定要注意: 卷带在运输过程中不能散开  
 This requirement should be applied at shipment:  
 The reel tape can not be separated during transportation.



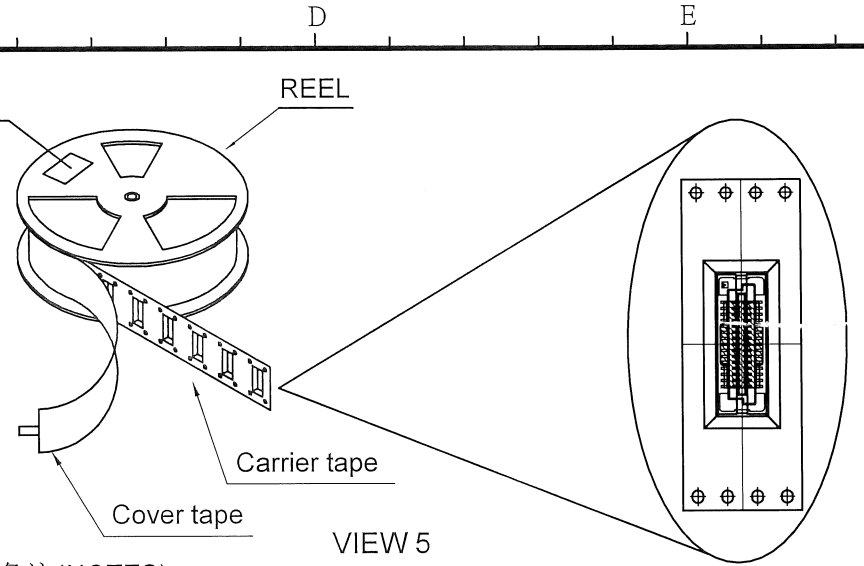
ITEM	P/N	DIM.F	DIM.E	DIM.D
REEL & FILM+REEL & MPAD+REEL	30PIN	40.40	20.20	44.00
	40PIN	40.40	20.20	44.00
	50PIN	40.40	20.20	44.00
	60PIN	52.40	26.20	56.00
	80PIN	52.40	26.25	56.00
	100PIN	68.40	34.25	72.00
	120PIN	68.40	34.25	72.00
	140PIN	84.40	42.25	88.00

 PLASTREN TECHNOLOGY (SHEN ZHEN) CO.,LTD.	TOLERANCE TABLE		SCALE 1:1	DRAWN 李晨涛	DATE 2022/10/12	DWG. NO. 600-0000-2007	TITLE	REV. 2
	XX. ±	XXX. ±	UNIT mm	CHECK 何晓涛	DATE 2022/10/26	PARTS NO.(INTENDED USE) DEAAAXXXBX00	CUSTOMER DRAWING	SHEET 2/3
	X. ± 0.40	.XXX ±	SIZE A4	APPROVE 何晓涛	DATE 2022/10/26			
	X ± 0.25	X.° ± 3°						
XX ± 0.15	.X° ± 2°							



VIEW 4

标签黏贴处(朝卷装包材的小定位孔一侧)  
Location of label sticking (label at small positioning hole of the carrier tape side)



VIEW 5

备注(NOTES):

1. 每卷包装数量及每箱装箱数量如下表格。  
Packing q'ty of each reel & carton as below table shown.
2. 上胶带覆盖下包装带用自粘包装。  
Use cover tape to cover and seal up.
3. 每个纸箱放2个珍珠棉。  
Every carton use 2pcs EPE.
4. 将装满产品的卷盘放入纸箱以胶带封口。  
Put reels in the carton and use adhesive tape to seal up.

产品料号 (Product No.)	包装容量(Packing capacity)		
	PCS/REEL	REELS/CARTON	PCS/CARTON
DEAAA030BX00	500	4	2000
DEAAA040BX00	500	4	2000
DEAAA050BX00	500	4	2000
DEAAA060BX00	500	3	1500
DEAAA080BX00	500	3	1500
DEAAA100BX00	500	2	1000
DEAAA120BX00	500	2	1000
DEAAA140BX00	500	2	1000



TOLERANCE TABLE		SCALE 1:1	DRAWN 李晨涛	DATE 2022/10/12	DWG. NO. 600-0000-2007	TITLE CUSTOMER DRAWING	REV. 2
X. ± 0.30	X.° ± 3°	UNIT mm	CHECK 何晓明	DATE 2022/10/26	PARTS NO.(INTENDED USE) DEAAAXXXBX00		SHEET 3/3
.X ± 0.25	.X° ± 2°	SIZE A4	APPROVE 李晨涛	DATE 2022/10/26			
.XX ± 0.20							